



A Graham-Field Brand

**RJ4700: SET N' GO FOUR-WHEEL ROLLATOR /  
RJ4718: SET N' GO WIDE FOUR-WHEEL ROLLATOR  
ASSEMBLY & OPERATION INSTRUCTIONS**

**PLEASE SAVE THESE INSTRUCTIONS FOR FUTURE USE**

**CONTENTS**

INTENDED USE.....	1	CLEANING AND MAINTENANCE.....	5
SAFETY GUIDELINES—PLEASE READ BEFORE USE.....	1	SPECIFICATIONS * .....	6
UNPACKING .....	2	LIFETIME LIMITED WARRANTY.....	6
ASSEMBLY .....	2	INSTRUCCIONES EN ESPAÑOL.....	7
OPERATION.....	4		

*Info: The most current version of these instructions can be found online at [www.grahamfield.com](http://www.grahamfield.com)*

**INTENDED USE**

The RJ4700 Set N' Go's intended use is as a Rollator, a walking aid with wheels, manipulated by both arms.

**⚠ WARNING: This product has a maximum weight capacity of:  
RJ4700: 300 lb (136 kg), EVENLY DISTRIBUTED.  
RJ4718: 350 lb (158 kg), EVENLY DISTRIBUTED.**

**⚠ WARNING: DO NOT use this rollator as a wheelchair or transport device. Rollators ARE NOT intended to be propelled while seated.**

**SAFETY GUIDELINES—PLEASE READ BEFORE USE**

Please note the following special statements, used throughout this manual, and their significance:

**⚠ WARNING: Indicates a potential hazard situation or unsafe practice that, if not avoided, could result in death or serious personal injury.**

**⚠ CAUTION: Indicates a potential hazard or unsafe practice that, if not avoided, could result in minor personal injury.**

**▲ NOTICE: Indicates a potential hazard or unsafe practice that, if not avoided, could result in product/property damage.**

*Info: Provides application recommendations or other useful information to ensure that you get the most from your product.*

**⚠ WARNING: Important! Read and understand these instructions before assembling or using the Set N' Go Rollator. Ensure that the Rollator is assembled as described in this document before use. If the Rollator is not properly assembled and adjusted, personal injury and/or damage to the Rollator could result.**

**⚠ WARNING: DO NOT use this product without proper instruction from a healthcare professional.**

**⚠ WARNING: If components are damaged or missing, contact your Graham-Field® authorized distributor immediately. DO NOT use substitute parts.**

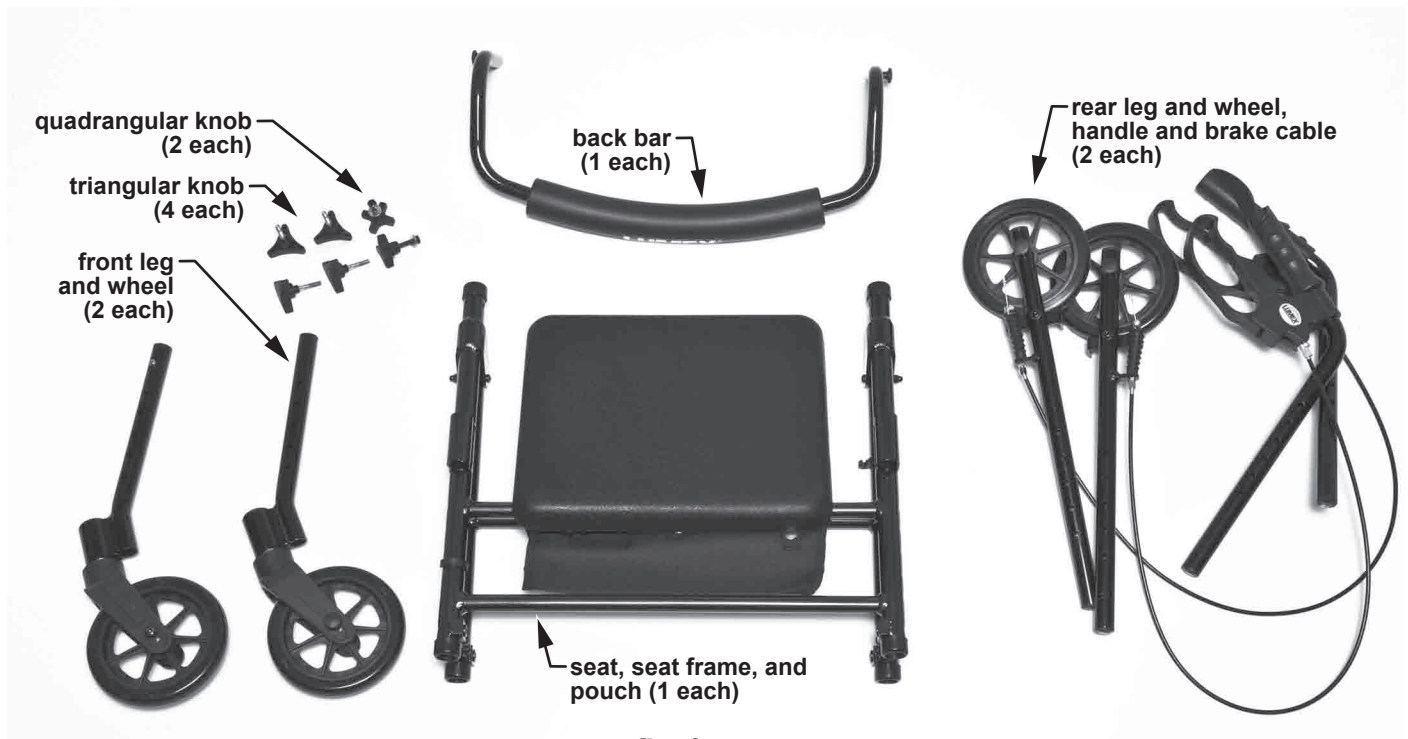
**⚠ WARNING: GF Health Products, Inc. assumes no responsibility for any damage or injury caused by improper assembly or use of this product.**

**⚠ WARNING: To ensure the Rollator is properly balanced, all wheels must be in contact with the floor at all times during use.**

**⚠ WARNING: Always use caution when using the Rollator on wet or slippery surfaces. DO NOT use the Rollator on stairs or steep inclines.**

**⚠ WARNING: DO NOT hang anything from the Rollator frame. Place items in the pouch.**

## **UNPACKING**



**fig. 1**  
**RJ4700 / RJ4718 components**

Unless the Rollator is to be used immediately, retain box and packaging materials for storage until use is required.

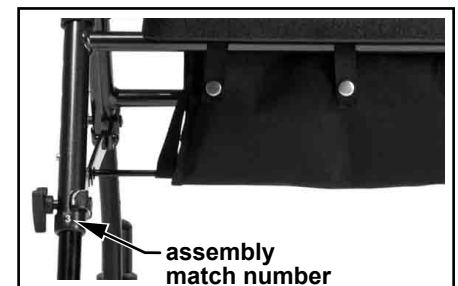
1. Carefully remove all components from the carton.
2. Inspect all components (shown above in fig. 1).
3. If damage is evident to the contents, please notify the carrier and your Graham-Field authorized distributor.

## **ASSEMBLY**

Refer to pictures at right during assembly.

***Info: As shown in fig. 2, each frame leg tube has a number corresponding to one of the four legs. Match each number at upper end of leg to each number on frame tube.***

***Info: Consult your healthcare professional to determine proper seat height adjustment.***



**fig. 2**

## **Install the Legs**

1. Lay the Rollator on its side to install the legs.
2. Install both front legs: Match leg number to frame tube number and insert leg into tube until locking button pops into place at appropriate seat height.
3. Install both rear legs: Match leg number to frame tube number and insert leg into tube until locking button pops into place at appropriate seat height.
4. Install triangular locking knobs to secure all legs: Insert knob into hole as shown in fig. 3 and turn clockwise until tight.

**⚠ WARNING: Ensure all four legs are locked in place at the same height, and leg knobs are tight, before proceeding.**

## **Open the Rollator**

1. Position Rollator upright on wheels.
2. Open Rollator frame; spread front and rear legs apart.
3. Push down on both side crossbars so that locking mechanisms lock legs open.
4. Fold seat down so that it rests on both seat frame tubes.

**⚠ WARNING: Ensure both side crossbar locking mechanisms are locked in place before proceeding.**

## **Install the Handles**

Install both handles in frame handle receptacles as shown in fig. 4.

## **Adjust the Handle Height**

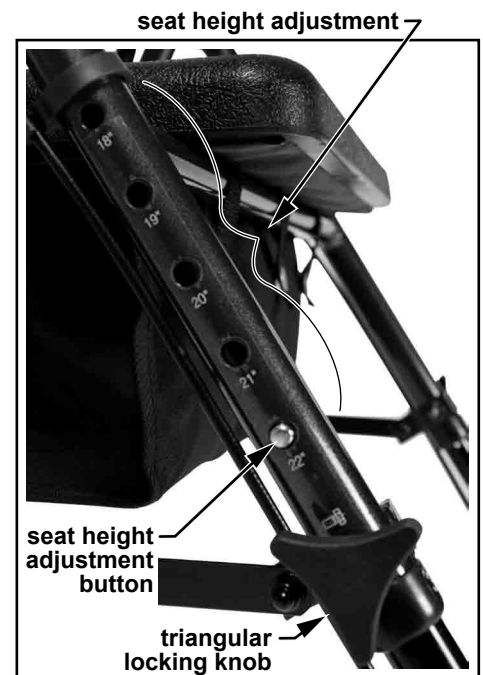
*Info: Consult your healthcare professional to determine proper handle height adjustment.*

1. Install the height adjustment knob in the appropriate adjustment hole with knob facing outward; install nut on knob and tighten. Repeat for the other side. Ensure both handles are adjusted to the same height.

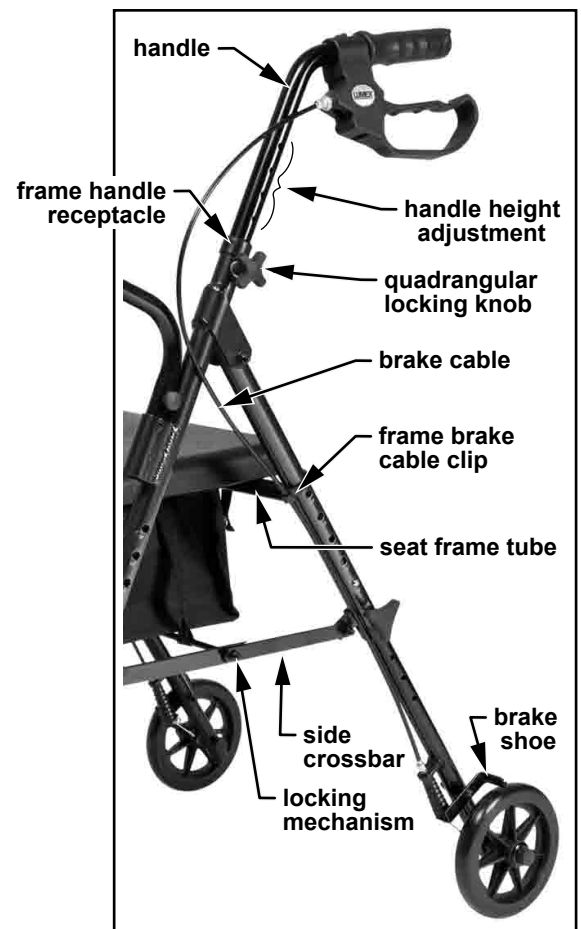
*Info: After adjusting handle height, the brakes must be checked and, if necessary, adjusted by a Graham-Field authorized distributor.*

2. Secure both brake cables onto frame with brake cable clips as shown in fig. 4.

**⚠ WARNING: Ensure both handles are adjusted to the same height, handle knobs are tight, and brake cables are secured in clips before proceeding.**



**fig. 3**



**fig. 4**

## **Secure the Pouch**

Fasten each snap on front and back of rollator to secure the pouch to the seat frame tubes as shown in fig. 5.

## **Install the Back Bar**

Install both ends of back bar into frame back bar receptacles as shown in fig. 6; push down until both locking buttons snap into place.

**⚠ WARNING: Ensure both ends of back bar are locked in place before proceeding.**

## **OPERATION**

**⚠ WARNING: BEFORE EACH USE, ensure all locking buttons protrude fully from holes, all knobs are tight, the pouch is securely attached, and all attaching hardware is securely tightened.**

**⚠ WARNING: Ensure that hand brakes stop Rollator and lock in place appropriately when operating or sitting on the Rollator. If your hand brakes are not operating correctly, please see your Graham-Field authorized distributor immediately for service.**

**⚠ WARNING: The Rollator pouch has a maximum weight capacity of 10 lb (4.5 kg). Ensure items placed in the pouch do not protrude from the pouch.**

**⚠ WARNING: Ensure back bar is always in place during use. DO NOT use the back bar to support user's entire body weight.**

## **Walking With Your Rollator**

Stand behind your Rollator with a hand placed securely on each handgrip. Move your Rollator slowly forward and select a pace that is comfortable for you. Always be sure the rear wheels are a few inches ahead of your body.

## **Stopping With Your Rollator**

The Rollator has loop locking hand brakes. To slow down, squeeze the hand brakes upward toward the handgrips. To hold the Rollator in a stationary position, push the hand brakes down, away from the handgrips, until the hand brakes lock into place; the rear wheels will be locked in place in parked position. To release, pull the hand brakes upward toward the handles until the rear wheels move freely.

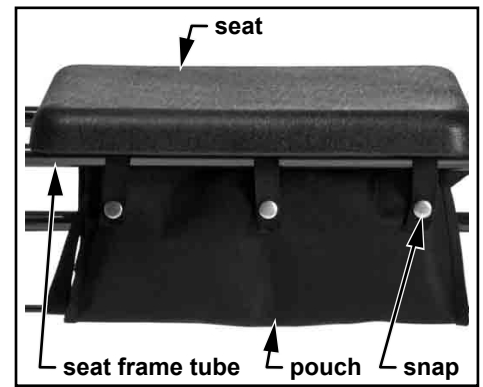


fig. 5

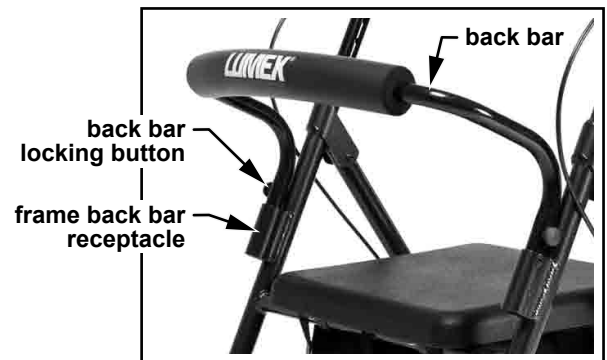


fig. 6



fig. 7  
RJ4700 Set N' Go Rollator

## **To Sit on Rollator Rest Seat**

1. Push the hand brakes down, away from the handles, until the hand brakes lock into parked position.
2. Test the wheels before sitting down to ensure the Rollator will not roll.
3. Before sitting, touch the back of your legs to the edge of the seat to ensure proper positioning of the Rollator.
4. Hold onto handles if necessary to help you lower your body onto the seat.

**⚠ WARNING: Ensure the brakes are in the locked position before using the rest seat.**

**⚠ WARNING: Distribute your body weight evenly on the Rollator rest seat. DO NOT lean on one side of the Rollator.**

**⚠ WARNING: Before attempting to reach objects or pick them up from the floor by reaching down between your knees, place both feet securely on the floor. Use extreme caution when reaching for any object.**

**⚠ WARNING: DO NOT use this rollator as a wheelchair or transport device. Rollators ARE NOT intended to be propelled while seated.**

## **Folding the Rollator for Transport or Storage**

1. Remove accessories, if any.
2. Lift the seat, move the pouch out of the way, and pull up on the folding pull strap attached to crossbar underneath seat.
3. Rollator is ready for transport and storage after folding. You may elect to remove handles before storage. The folding strap can be used to keep rollator frame folded for storage and/or transport.

## **CLEANING AND MAINTENANCE**

- To remove dust and dirt, wipe Rollator gently with a clean, soft, damp cloth.
- Inspect wheels periodically for wear or damage. Verify that wheels are free of hair or any other obstruction to free wheel operation. Inspect caster stems for assembly tightness. Use a clean, soft cloth and a mild soap and water solution to clean, rinse with clear water, then dry with a soft cloth.

**▲ NOTICE: DO NOT use solvents, abrasive cleaners, or scouring pads to clean this product.**

**⚠ WARNING: Inspect the Rollator weekly for proper function and wear. Check fit and tightness of all nuts, bolts and knobs weekly. If any component is not in proper working order or appears worn, contact your Graham-Field authorized distributor immediately for repair and/or appropriate replacement parts.**

**⚠ WARNING: If handgrips or hand brakes are loose, DO NOT USE ROLLATOR. Contact your Graham-Field authorized distributor immediately for repair.**

**⚠ WARNING: The use of non-Lumex replacement parts will void the warranty, and could create a hazardous condition resulting in serious personal injury.**



## SPECIFICATIONS

		Model	4700 Set N' Go	4718 Set N' Go Wide
Dimensions	Width	Inside Handgrips	16.3" (414 mm)	19" (483 mm)
		Overall	24.5" (622 mm)	27" (686 mm)
	Depth	At Minimum Seat Height	25" (635 mm)	27.5" (699 mm)
		At Maximum Seat Height	29" (737 mm)	31.5" (800 mm)
	Height	At Minimum Handle Height	29" (737 mm)	32" (813 mm)
		At Maximum Handle Height	38" (965 mm)	38" (965 mm)
	Seat	Height	18" - 21.5" (457 mm - 546 mm)	19.5" - 23.5" (495 mm - 597 mm)
		Width	14" (356 mm)	15.75" (400 mm)
		Depth	12" (305 mm)	12.4" (315 mm)
Casters	Diameter	6" (152 mm)	7.5" (191 mm)	
Weight	Maximum Weight Capacity, EVENLY DISTRIBUTED		300 lb (136 kg)	350 lb (158 kg)
	Product Weight		14 lb (6.4 kg)	16.5 lb (7.5 kg)

## LIFETIME LIMITED WARRANTY

GF Health Products, Inc. offers a product lifetime (five years) limited warranty on the RJ4700 Set N' Go Rollator / RJ4718 Set N' Go Wide Rollator for defects in workmanship and materials of the frame and welding.

All other components not specifically listed above are excluded from this warranty. This warranty does not extend to non-durable components, such as wheels and brakes, which are subject to normal wear and require periodic replacement.

During the warranty period, defective items will be repaired or replaced at GF Health Products, Inc. option. Warranty does not include any labor charges incurred in replacement part(s) installation or any associated freight or shipping charges to GF Health Products, Inc.

The warranties contained herein contain all the representations and warranties with respect to the subject matter of this document, and supersede all prior negotiations, agreements and understandings with respect thereto. The recipient of this document hereby acknowledges and represents that it has not relied on any representation, assertion, guarantee, warranty, collateral contract or other assurance, except those set out in this document.



GF Health Products, Inc. is not responsible for typographical errors.

For the most updated and current information on packaging, warranties, products and specifications, including the most current version of these instructions, please visit our website at [www.grahamfield.com](http://www.grahamfield.com).

Graham-Field and Lumex are registered trademarks of GF Health Products, Inc.

© 2012 GF Health Products, Inc. • 2935 Northeast Parkway, Atlanta, GA 30360 • tel 770-368-4700 • fax 770-368-2386 • Made in China